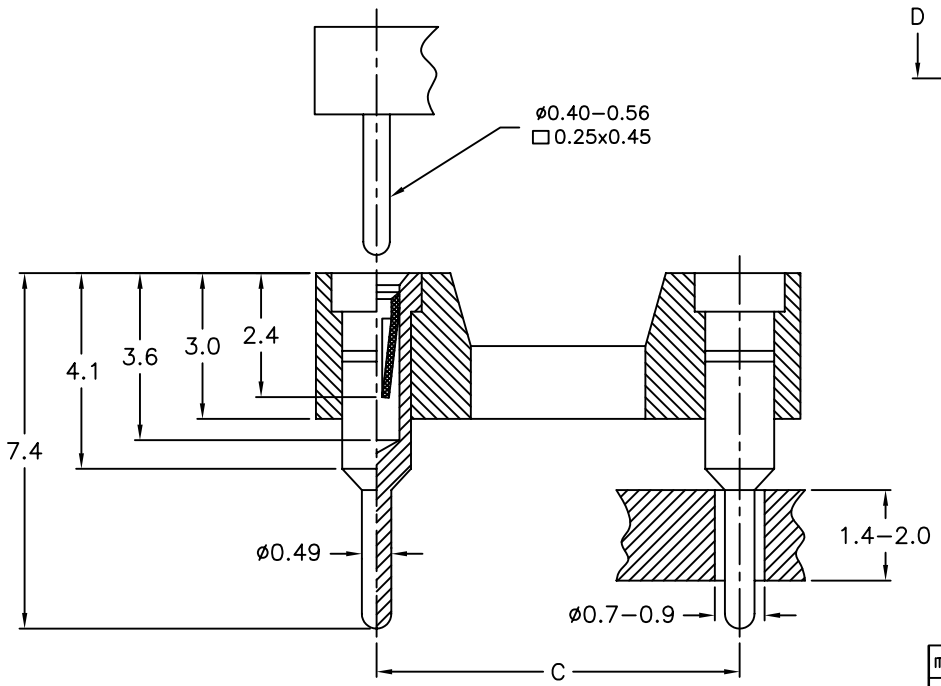
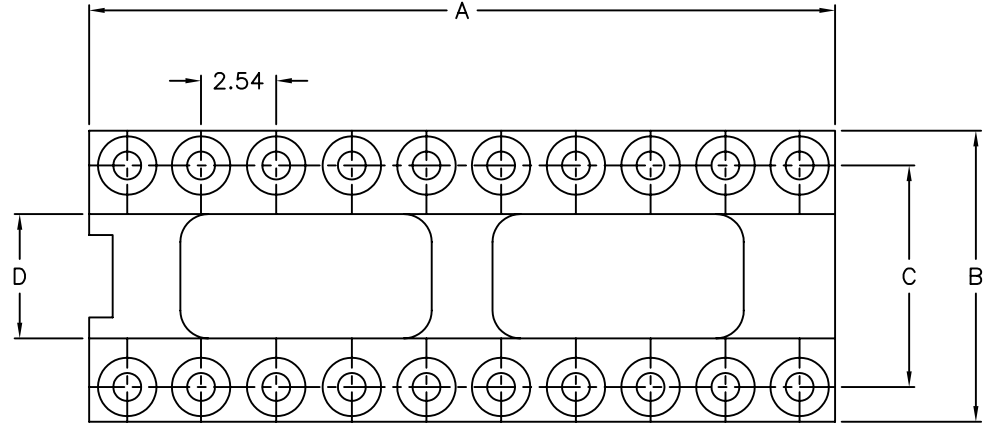


All information on this drawing is proprietary and may not be reproduced in any manner or made available to any unauthorized person/party without written permission of ALPHA PRODUCTS, INC.

REVISIONS			
REV.	DESCRIPTION	DATE	APPROVED

- MARKING:
- BAGGING:
- PACKING:
- LOGO (ALPHA ONLY):
- FULL LOGO:



2. SEE PAGE 2 FOR PART NUMBERS AND DIMENSIONS.
 1. ALL DIMENSIONS ARE IN MM.

NOTES:

847		
VCN	CCN	AQE
APPLICATION		

ITEM #	QTY REQD	UNIT MEASURE	PART OR IDENTIFYING NO.	NOMENCLATURE OR DESCRIPTION	MATERIAL SPECIFICATION		
PARTS LIST							
TOLERANCES (UNLESS OTHERWISE SPECIFIED)				CONTRACT NO.	351 IRVING DR, OXNARD, CA 93030 USA TEL: (805)981-8666 FAX: (805)988-6555 E-MAIL: info@alpha-products.com		
MATERIAL				APPROVALS		DATE	
FINISH				DRAWN			
				CHECKED			
				ISSUED			
DO NOT SCALE DRAWING				SIZE	FSCM NO.	DWG NO.	REV.
				B	8U759	300/233C10669-1	
				SCALE	NONE	SHEET	1 OF 2

CAD NO. 233C10669g SH REV.

All information on this drawing is proprietary and may not be reproduced in any manner or made available to any unauthorized person/party without written permission of ALPHA PRODUCTS, INC.


REVISIONS			
REV.	DESCRIPTION	DATE	APPROVED

PART NUMBER	# OF POS.	DIM "A"	DIM "B"	DIM "C"	DIM "D"	SLEEVE PLATING	CLIP PLATING
300/233C1066911	4	5.00	10.08	7.62	4.00	TIN	TIN
300/233C1066912						TIN	GOLD
300/233C1066913						GOLD	GOLD
300/233C1067011	6	5.00	10.08	7.62	4.00	TIN	TIN
300/233C1067012						TIN	GOLD
300/233C1067013						GOLD	GOLD
300/233C1067111	8	5.00	10.08	7.62	4.00	TIN	TIN
300/233C1067112						TIN	GOLD
300/233C1067113						GOLD	GOLD
300/233C1500005	10	5.00	10.08	7.62	4.00	TIN	TIN
300/233C1500006						TIN	GOLD
300/233C1500007						GOLD	GOLD
300/233C1067211	10	5.00	10.08	7.62	4.00	TIN	TIN
300/233C1067212						TIN	GOLD
300/233C1067213						GOLD	GOLD
300/233C1067311	14	5.00	10.08	7.62	4.00	TIN	TIN
300/233C1067312						TIN	GOLD
300/233C1067313						GOLD	GOLD
300/233C1067411	16	5.00	10.08	7.62	4.00	TIN	TIN
300/233C1067412						TIN	GOLD
300/233C1067413						GOLD	GOLD
300/233C1067511	18	5.00	10.08	7.62	4.00	TIN	TIN
300/233C1067512						TIN	GOLD
300/233C1067513						GOLD	GOLD
300/233C1067611	20	5.00	10.08	7.62	4.00	TIN	TIN
300/233C1067612						TIN	GOLD
300/233C1067613						GOLD	GOLD
300/233C1067711	22	5.00	10.08	7.62	4.00	TIN	TIN
300/233C1067712						TIN	GOLD
300/233C1067713						GOLD	GOLD
300/233C1068011	22	5.00	10.08	7.62	4.00	TIN	TIN
300/233C1068012						TIN	GOLD
300/233C1068013						GOLD	GOLD

PART NUMBER	# OF POS.	DIM "A"	DIM "B"	DIM "C"	DIM "D"	SLEEVE PLATING	CLIP PLATING
300/233C1067811	24	5.00	10.08	7.62	4.00	TIN	TIN
300/233C1067812						TIN	GOLD
300/233C1067813						GOLD	GOLD
300/233C1068111	24	5.00	10.08	7.62	4.00	TIN	TIN
300/233C1068112						TIN	GOLD
300/233C1068113						GOLD	GOLD
300/233C1068211	24	5.00	10.08	7.62	4.00	TIN	TIN
300/233C1068212						TIN	GOLD
300/233C1068213						GOLD	GOLD
300/233C1067911	28	5.00	10.08	7.62	4.00	TIN	TIN
300/233C1067912						TIN	GOLD
300/233C1067913						GOLD	GOLD
300/233C1068311	28	5.00	10.08	7.62	4.00	TIN	TIN
300/233C1068312						TIN	GOLD
300/233C1068313						GOLD	GOLD
300/233C1068411	32	5.00	10.08	7.62	4.00	TIN	TIN
300/233C1068412						TIN	GOLD
300/233C1068413						GOLD	GOLD
300/233C1068511	36	5.00	10.08	7.62	4.00	TIN	TIN
300/233C1068512						TIN	GOLD
300/233C1068513						GOLD	GOLD
300/233C1068611	40	5.00	10.08	7.62	4.00	TIN	TIN
300/233C1068612						TIN	GOLD
300/233C1068613						GOLD	GOLD
300/233C1068711	48	5.00	10.08	7.62	4.00	TIN	TIN
300/233C1068712						TIN	GOLD
300/233C1068713						GOLD	GOLD
300/233C1068811	50	5.00	10.08	7.62	4.00	TIN	TIN
300/233C1068812						TIN	GOLD
300/233C1068813						GOLD	GOLD
300/233C1068911	64	5.00	10.08	7.62	4.00	TIN	TIN
300/233C1068912						TIN	GOLD
300/233C1068913						GOLD	GOLD

NOTES:

847		
VCN	CCN	AQE
APPLICATION		

ITEM #	QTY REQD	UNIT MEASURE	PART OR IDENTIFYING NO.	NOMENCLATURE OR DESCRIPTION	MATERIAL SPECIFICATION
PARTS LIST					
TOLERANCES (UNLESS OTHERWISE SPECIFIED)			CONTRACT NO.		
MATERIAL			APPROVALS		DATE
FINISH			DRAWN		
			CHECKED		
			ISSUED		
					351 IRVING DR, OXNARD, CA 93030 USA TEL: (805)981-8666 FAX: (805)988-6555 E-MAIL: info@alpha-products.com
			PRECISION IC SOCKET, OPEN FRAME		
SIZE		FSCM NO.	DWG NO.		REV.
B		8U759	300/233C10669-2		
SCALE			NONE		SHEET 2 OF 2
DO NOT SCALE DRAWING					